

DESCRIPTION

Unipower Telecom's UNIFLEX® distribution panels provide the ultimate flexibility in combining fuses, circuit breakers and/or an LVD in a dual (A/B) panel. A GMT section provides 10 fuses; a KTK section, 5 fuses; a Type 70 section, 6 fuses; a circuit breaker section, 1-6 breakers. A low-voltage disconnect section is configured at the factory for either battery or load disconnect and can have an optional bypass switch. A battery circuit breaker is standard.

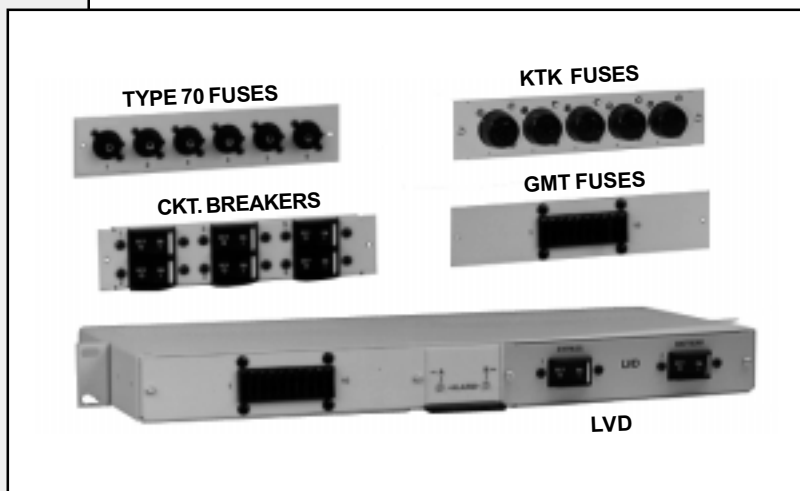
Each A and B section has an LED alarm indicator and Form C relay contacts. The A and B Sections are isolated and can be configured independently at the factory for 12, 24 or 48 VDC, positive or negative ground.

The panels are only one mounting position (1.75 inches) high and come with brackets that permit mounting in either a 19- or 23-inch relay rack. They can be mounted from the front of the rack with offsets every quarter-inch from front to back to align with existing rack-mounted equipment.

SAFETY STANDARDS

UL1801 and UL1950
CSA C22.2 No. 950-95

TWO-YEAR WARRANTY



UNIFLEX® DISTRIBUTION PANELS

MODEL	SIDE	CAPACITY	TYPE
DPU1U	A	80A	10 GMT FUSES
		150A	5 KTK FUSES
		60A	6 TYPE 70 FUSES
		150A	1-6 CKT. BREAKERS
	B	80A	10 GMT FUSES
		150A	5 KTK FUSES
		60A	6 TYPE 70 FUSES
		150A	1-6 CKT. BREAKERS
	70A	LV DISCONNECT	

FEATURES

- ◆ One Mounting Position High: 1.75"
- ◆ 19- or 23-Inch Rack Mounting
- ◆ Dual Section (A/B)
- ◆ Current Capacity per Section: 60A to 150A
- ◆ Operating Voltage: 12, 24 or 48VDC
- ◆ Positive or Negative Ground
- ◆ A & B are Isolated Loads
- ◆ LED Alarms
- ◆ Form C Relay Contacts, Each Load
- ◆ Combination of Fuses, Breakers, LVD
- ◆ GMT, KTK or Type 70 Fuses
- ◆ 1A to 50A Circuit Breakers
- ◆ LVD has Battery Circuit Breaker
- ◆ LVD in Series with Battery or Load
- ◆ Rack Offset Every ¼" from Front to Back

